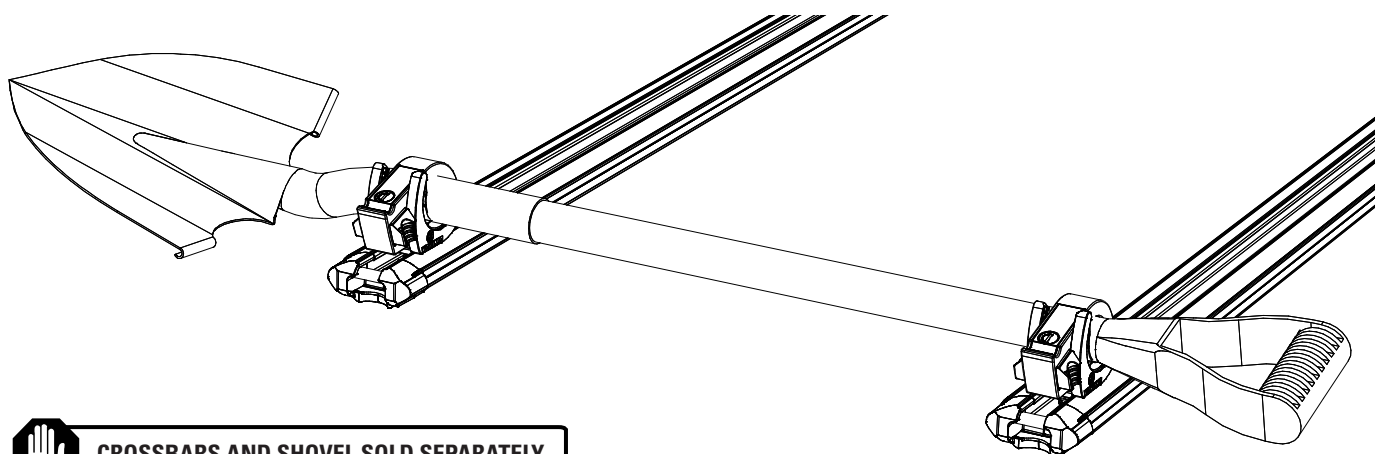


FIRST TIME INSTALLATION

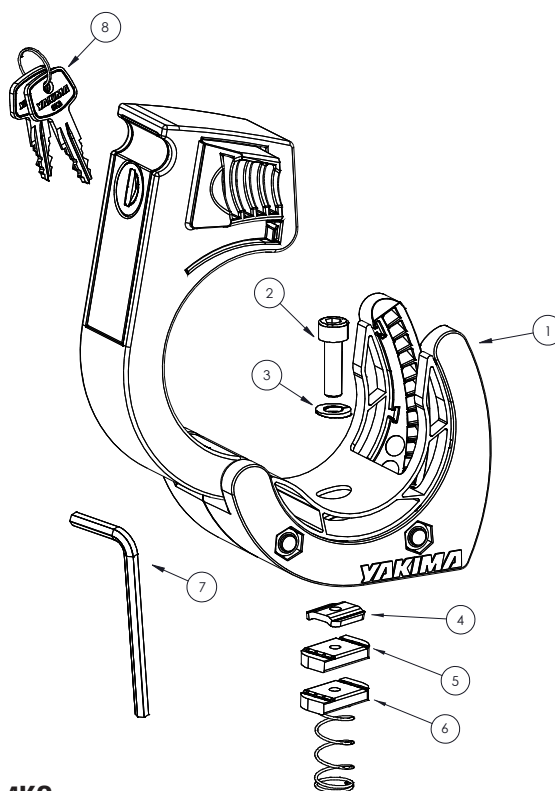
- Please read instructions carefully before installation.
- Check the contents of kit. Contact your YAKIMA dealer if any parts appear missing or damaged.
- Clean your roof rack/platform prior to fitting the YAKIMA AceO'Spades Shovel Holder Kit.
- Place these instructions in the vehicle's glove box after installation is complete.



CROSSBARS AND SHOVEL SOLD SEPARATELY

KIT CONTENTS

| ITEM | COMPONENT | QTY |
|------|------------------------|-----|
| 1. | Shovel Holder Assembly | x2 |
| 2. | Socket Head Capscrew | x2 |
| 3. | Spring Washer | x2 |
| 4. | Slot Nut | x2 |
| 5. | Tee Nut | x2 |
| 6. | Spring Nut | x2 |
| 7. | Allen Key | x1 |
| 8. | YAKIMA Key Set | x2 |



MAX LOAD RATING: 4KG

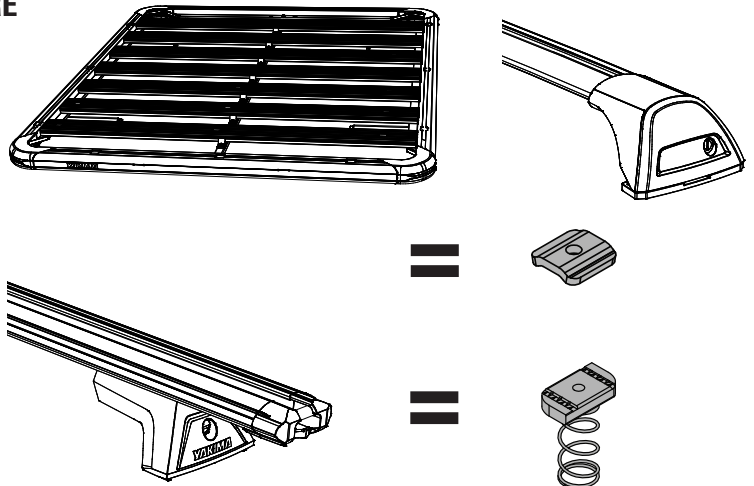
INSTALLATION

1 SELECT CORRECT MOUNTING HARDWARE

Select the correct mounting hardware option as shown.

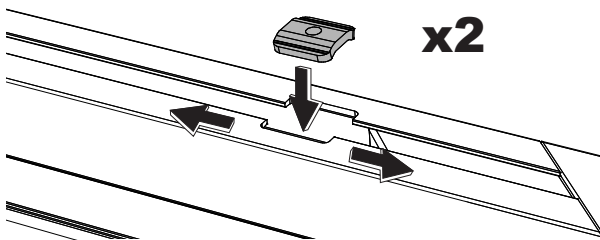
LOCKN'LOAD Platform and Whipbar S-Wing (including international T-slot crossbars) use M6 Slot Nuts.

LOCKN'LOAD Bars (including Whipbar HD, Tradesman and other heavy duty crossbars) use M6 Spring Nuts.



1a INSERT MOUNTING HARDWARE - PLATFORM

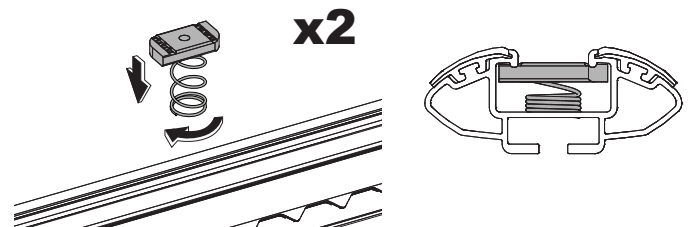
Insert 2 x M6 Slot Nuts into the Platform channel where you want to mount your shovel or similar tool. Refer to Step 2 for positioning information.



NOTE - Shovel Holder can be fitted to all four sides of the LOCKN'LOAD Platform.

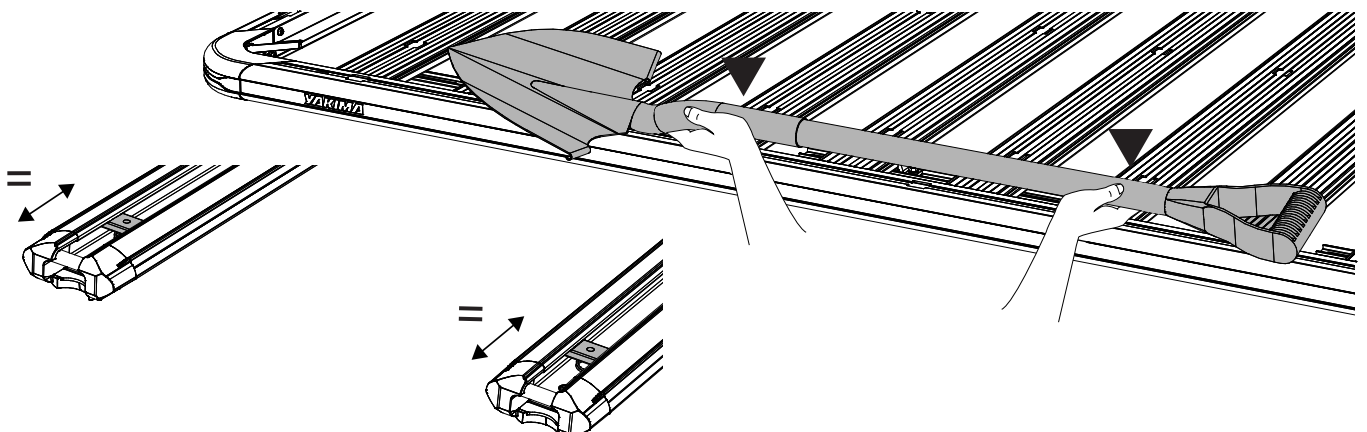
1b INSERT MOUNTING HARDWARE - LOCKN'LOAD BAR

Insert 2 x M6 Spring Nuts into the crossbar channel where you want to mount your shovel or similar tool. Push Spring Nuts down into crossbar channel and twist to lock into place as pictured. Refer to Step 2 for positioning information.



2 POSITION NUTS IN CHANNEL

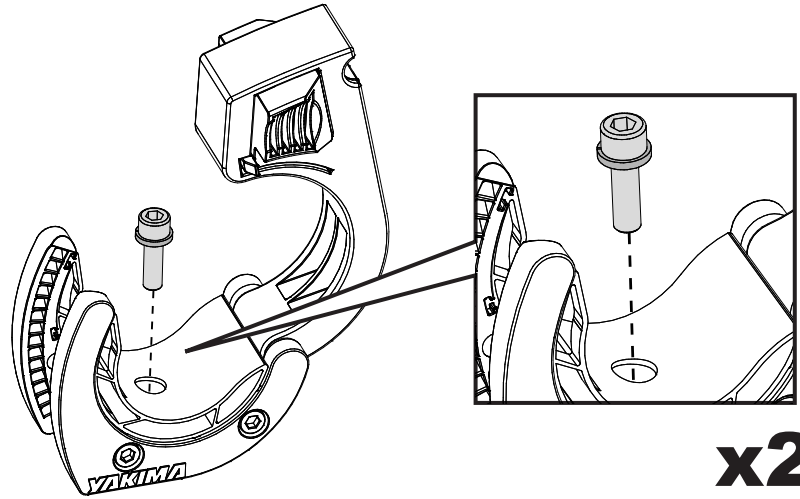
Determine the best spacing for the Shovel Holder assemblies based on the tool you will be carrying. For crossbars, it is recommended to position Nuts close to the end of crossbars and ensure they are equally spaced as shown. The Allen Key can be used to assist Nut movement within the channel.



3**INSERT CAPSCREWS INTO SHOVEL HOLDERS**

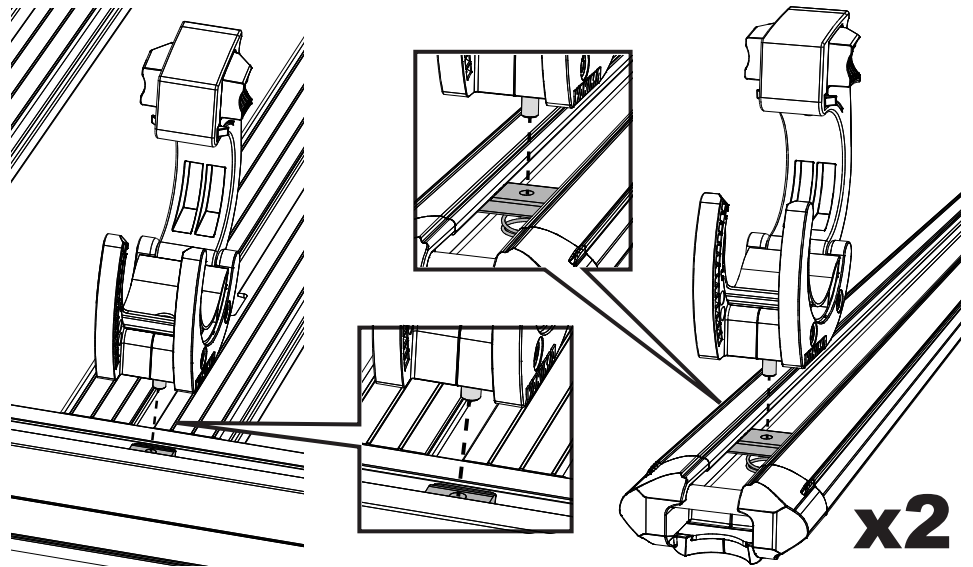
Assemble 1 x Spring Washer onto each Capscrew.

Insert Capscrew assemblies through hole in the base of each Shovel Holder as shown.

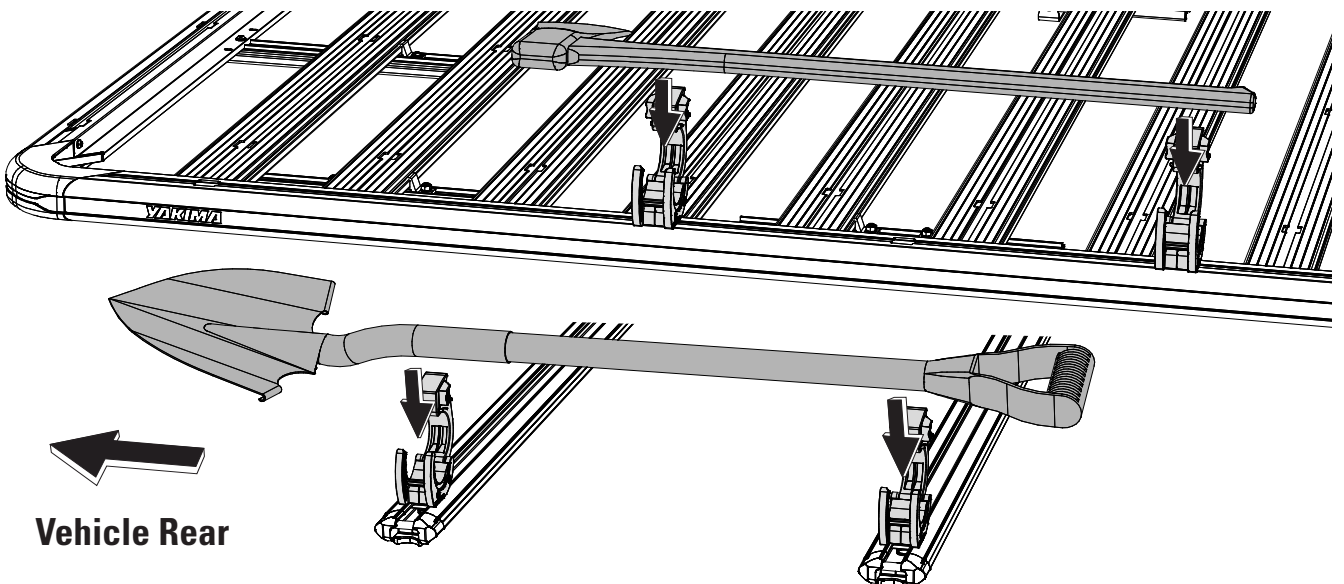
**x2****4****POSITION AND SECURE SHOVEL HOLDERS**

Line up Capscrews in the base of each Shovel Holder into the nuts in Platform/Bar channel.

Tighten all Capscrews to 4Nm with Allen Key provided.

**x2****5****INSERT TOOL**

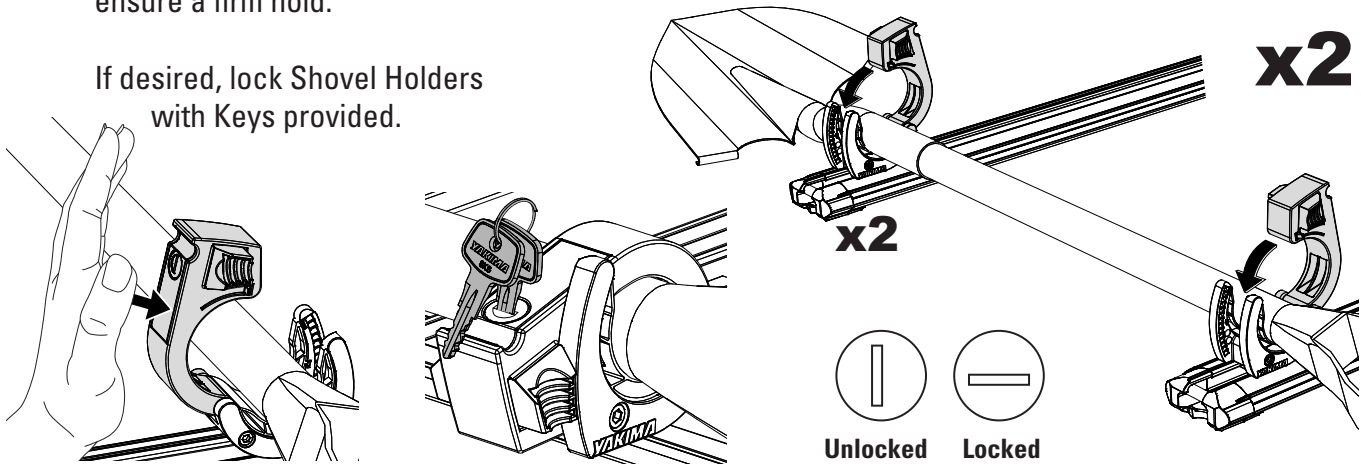
Insert tool down into Shovel Holders. Ensure any blades are orientated towards the rear of the vehicle and facing up or away from you. The YAKIMA AceO'Spades Shovel Holder can accommodate long handled tools with a 30-55mm diameter including axes, rakes, brooms and oars to a maximum weight of 4kg.

**Vehicle Rear**

6 SECURE TOOL

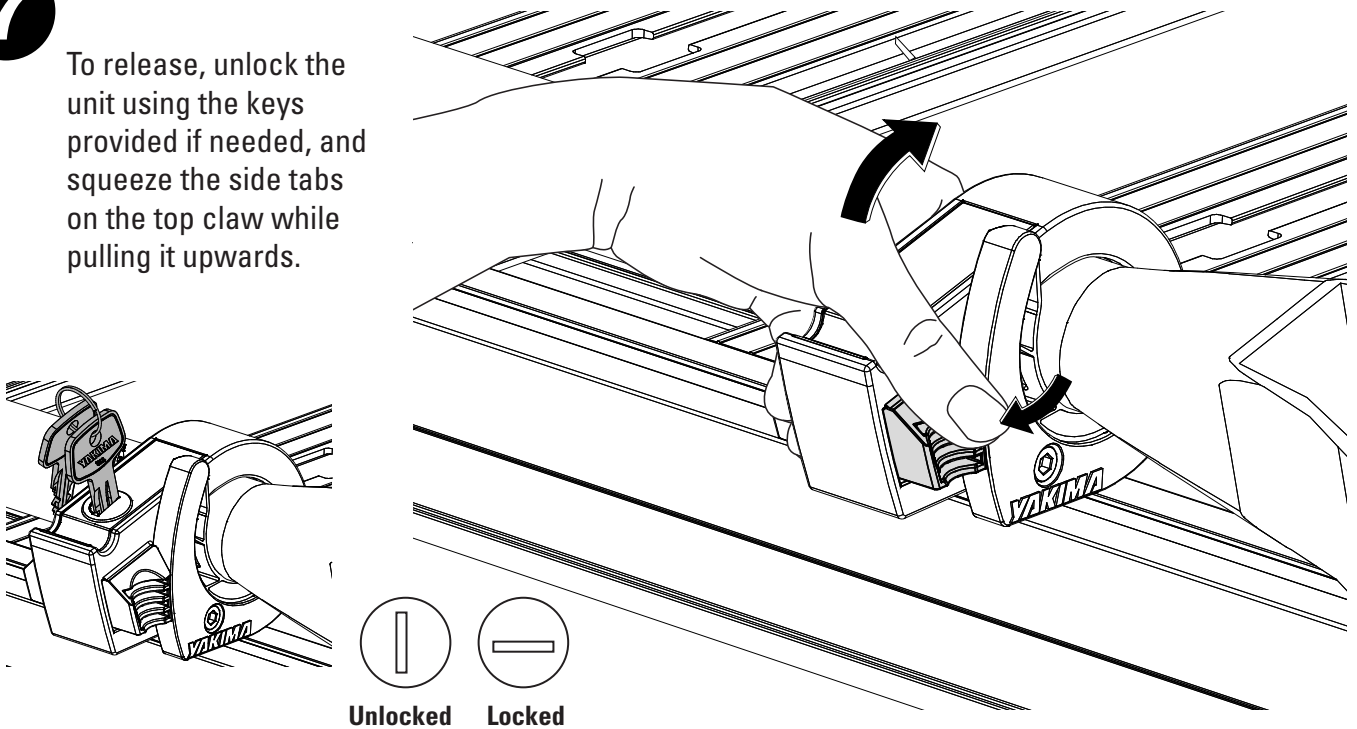
Secure tool within the Shovel Holder by closing the top claw down over tool handle and pushing it down as far as it can go. The Rubber pad within the lower claw should be fully depressed to ensure a firm hold.

If desired, lock Shovel Holders with Keys provided.



7 TOOL REMOVAL

To release, unlock the unit using the keys provided if needed, and squeeze the side tabs on the top claw while pulling it upwards.



8 INSTALLATION ONTO MOUNTING BRACKET

The Tee Nuts can be used to install the Shovel Holder onto the Prorack Voyager Recovery Tracks Mounting Brackets as shown and following Steps 3 - 7.

