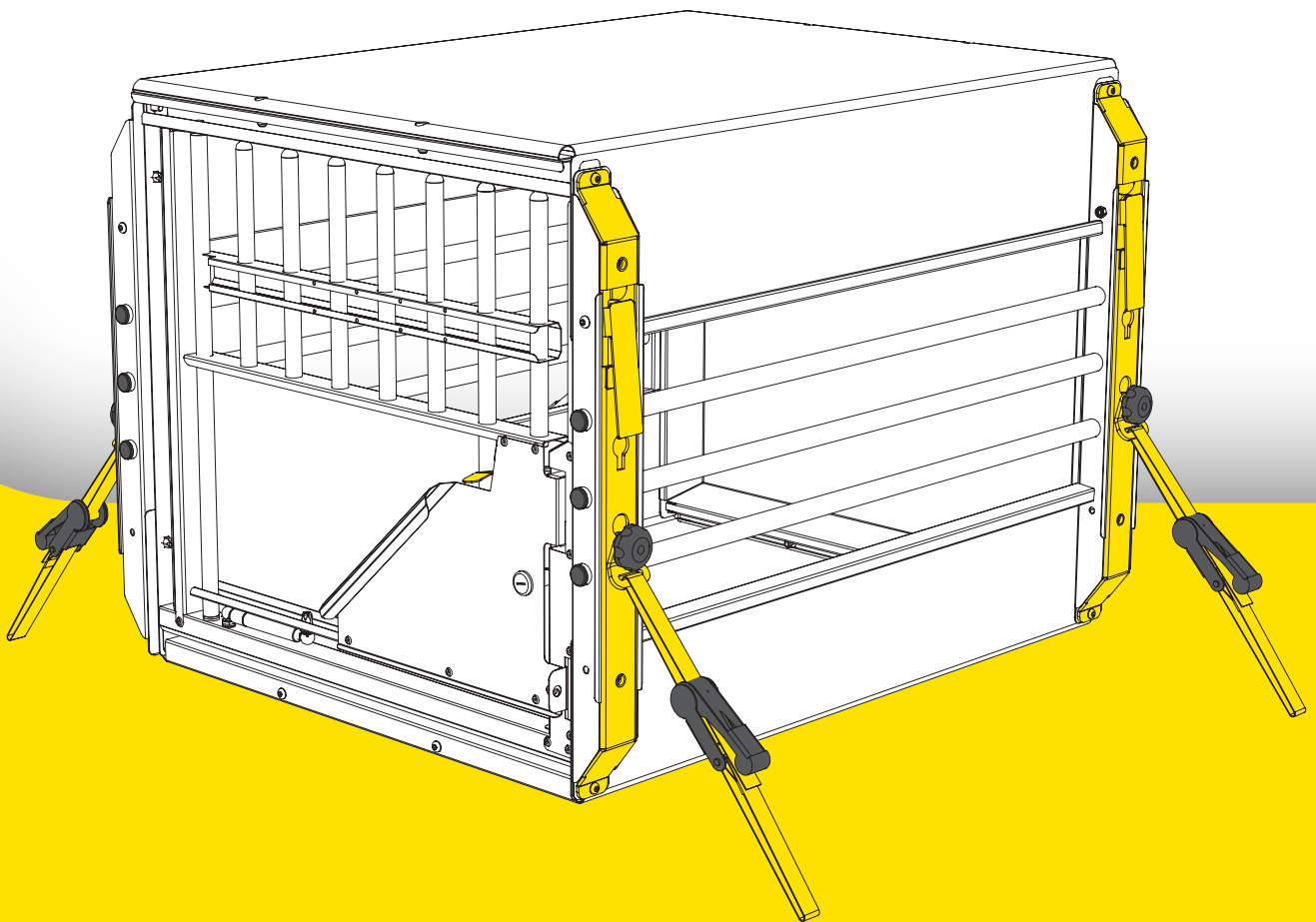


# mimSAFE

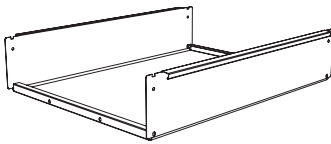
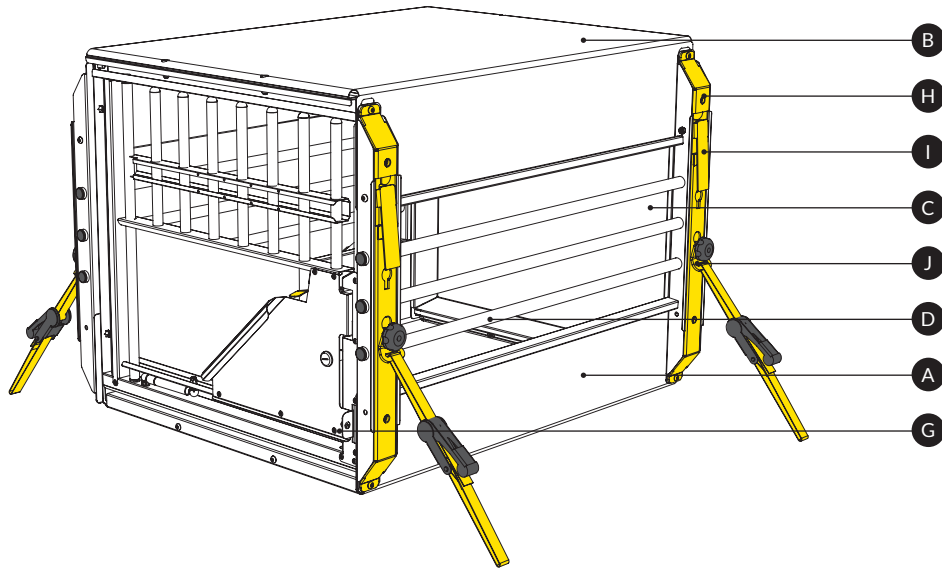
[www.mimsafe.se](http://www.mimsafe.se)



ASSEMBLY INSTRUCTIONS

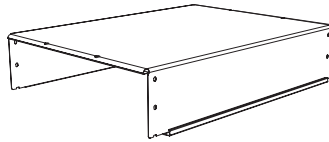
# MULTICAGE

single large



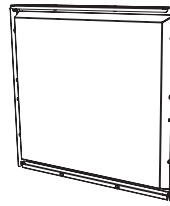
**A** Floor

6160A	1X
Product no	No of items



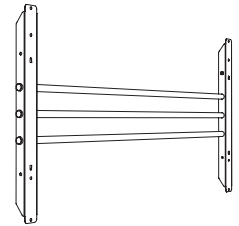
**B** Roof

6160E	1X
Product no	No of items



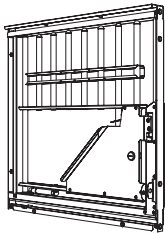
**C** Divider panel

6260J	1X
Product no	No of items



**D** Sidebars

6160C	2X
Product no	No of items



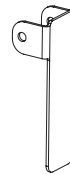
**G** Door section

6260I	1X
Product no	No of items



**H** Frame bar

6260N	4X
Product no	No of items



**I** Handle

6260P	4X
Product no	No of items

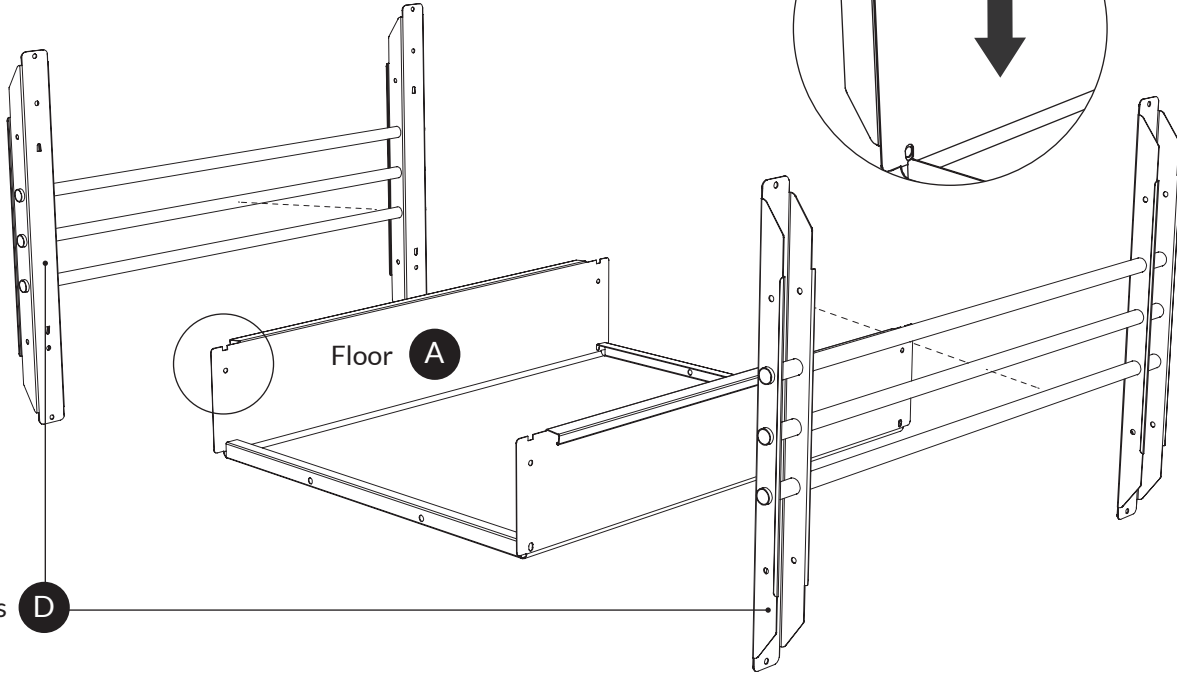
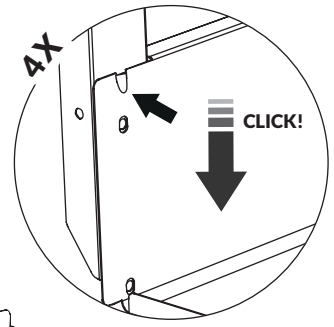


**J** Anchor

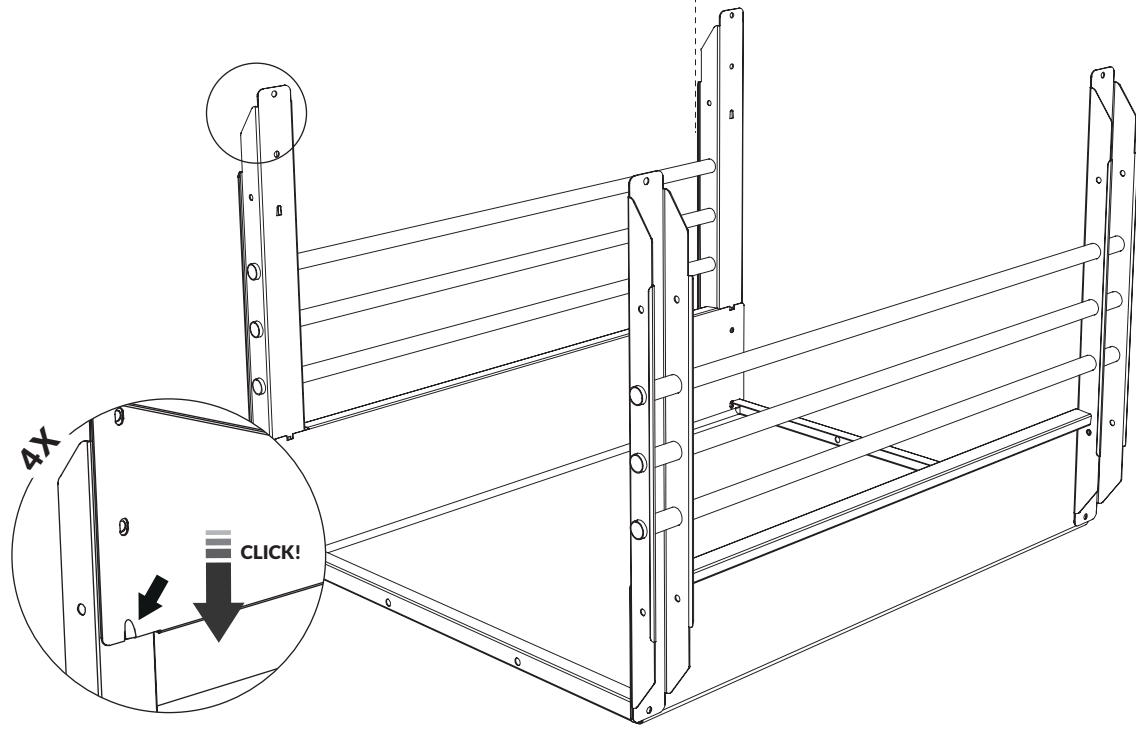
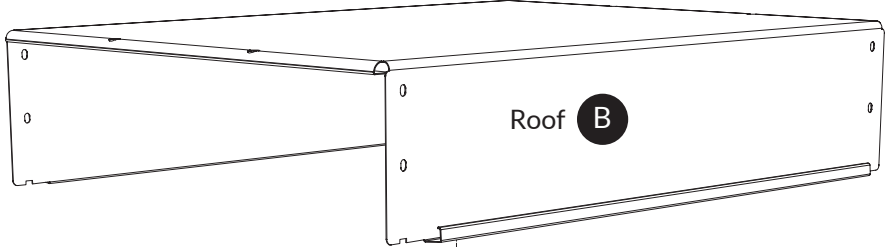
6260R	4X
Product no	No of items

<p>ALLEN KEY 4 1X</p>	<p>IKP1915-17S 12X</p> <p>plastic end caps</p>	<p>M-460641I 4X</p>	<p>M-BR8x19x1,5S 4X</p>	<p>M-VBM8x20S88 4X</p>
<p>M-10520 4X</p>	<p>M-SM6x14IA 24X</p>	<p>M-SM6x55-IK 4X</p>	<p>M-MM6NyS 4X</p> <p>rubber</p>	<p>Combination spanner 1X</p>

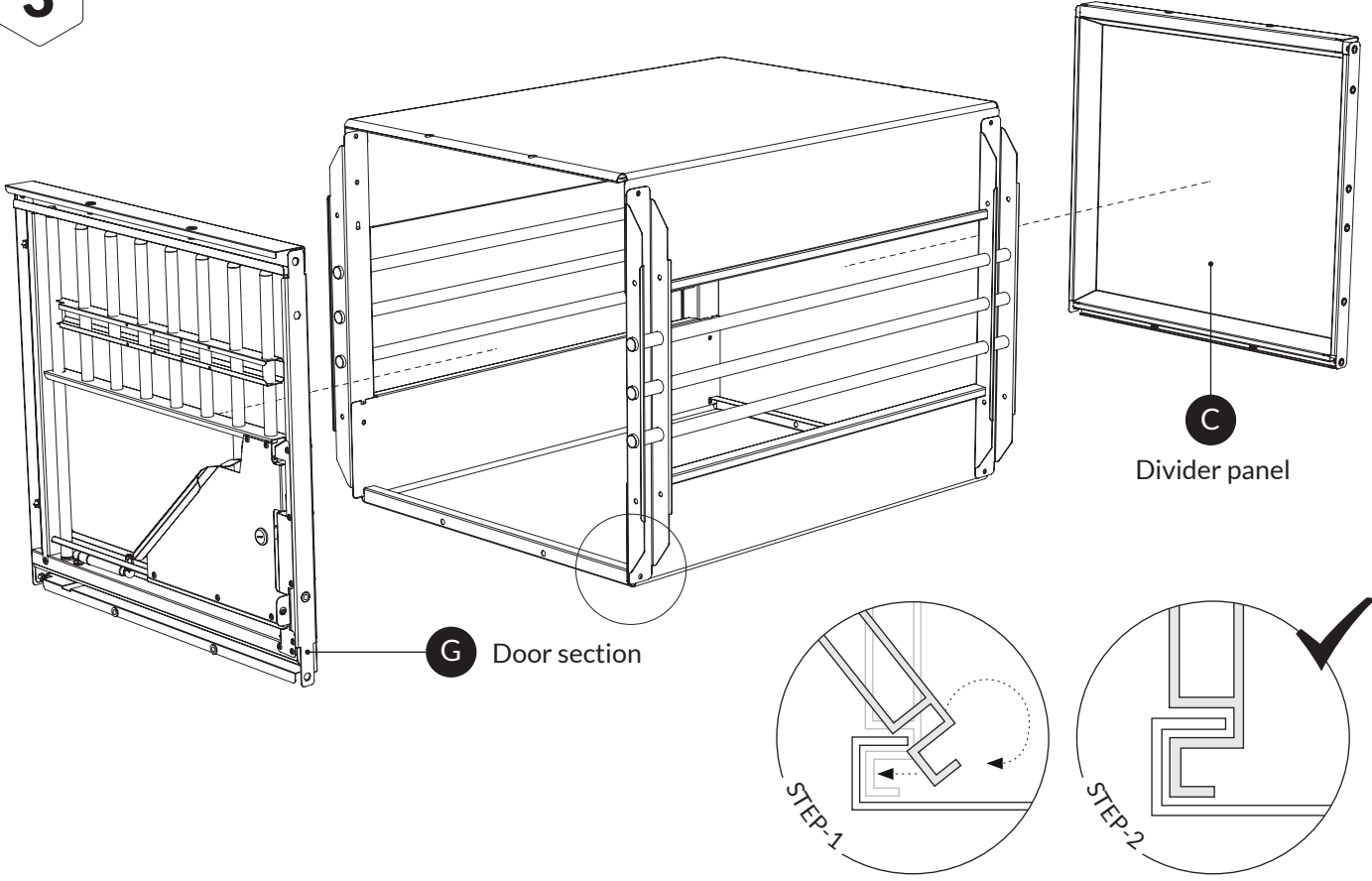
STEP  
**1**



STEP  
**2**

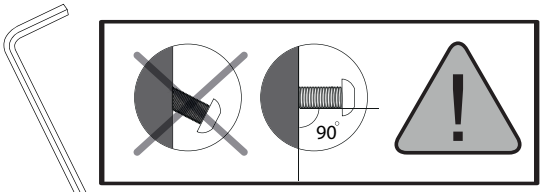
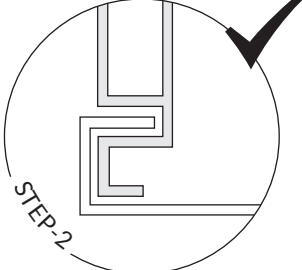
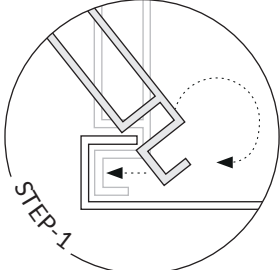


STEP 3



G Door section

C  
Divider panel

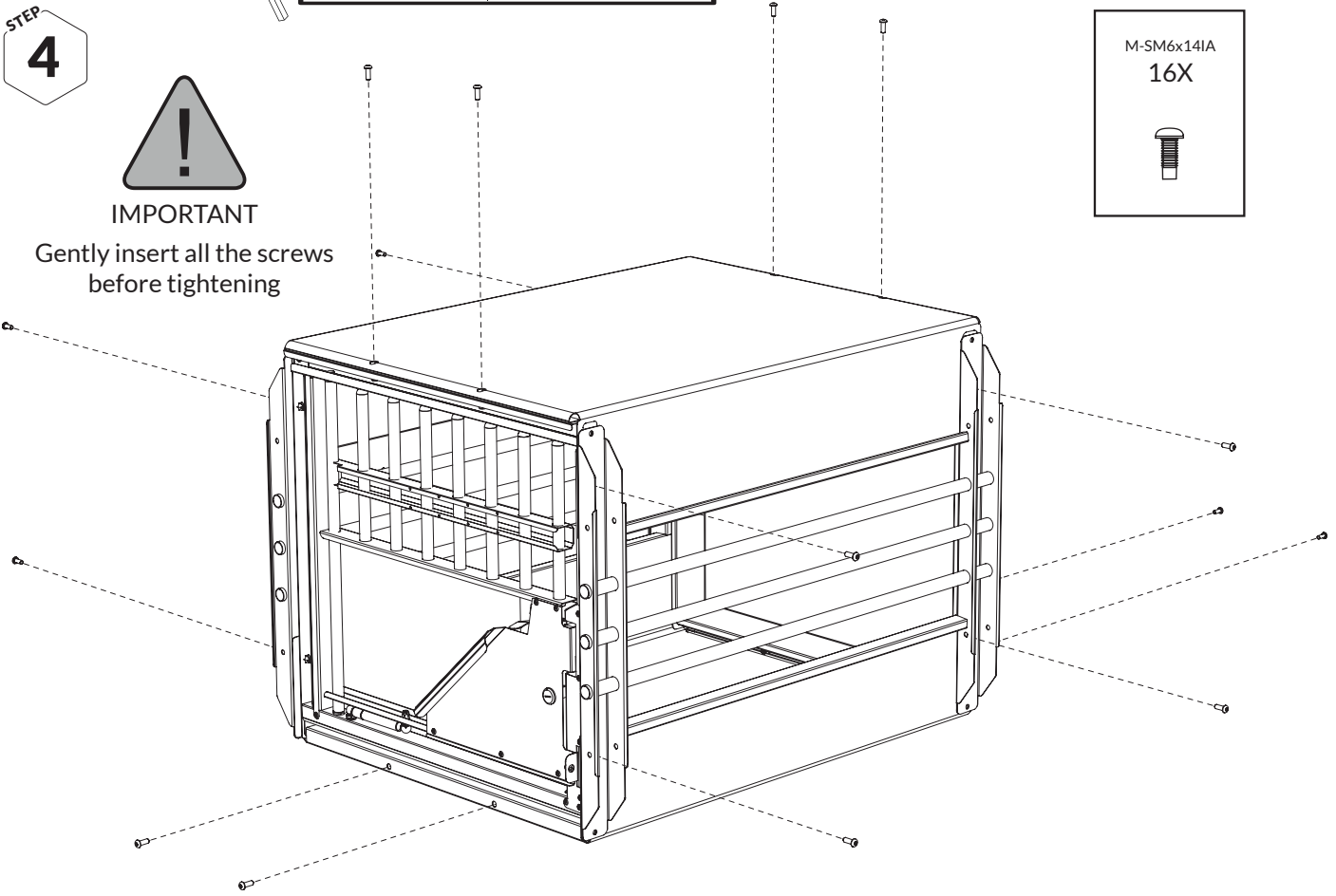


STEP 4

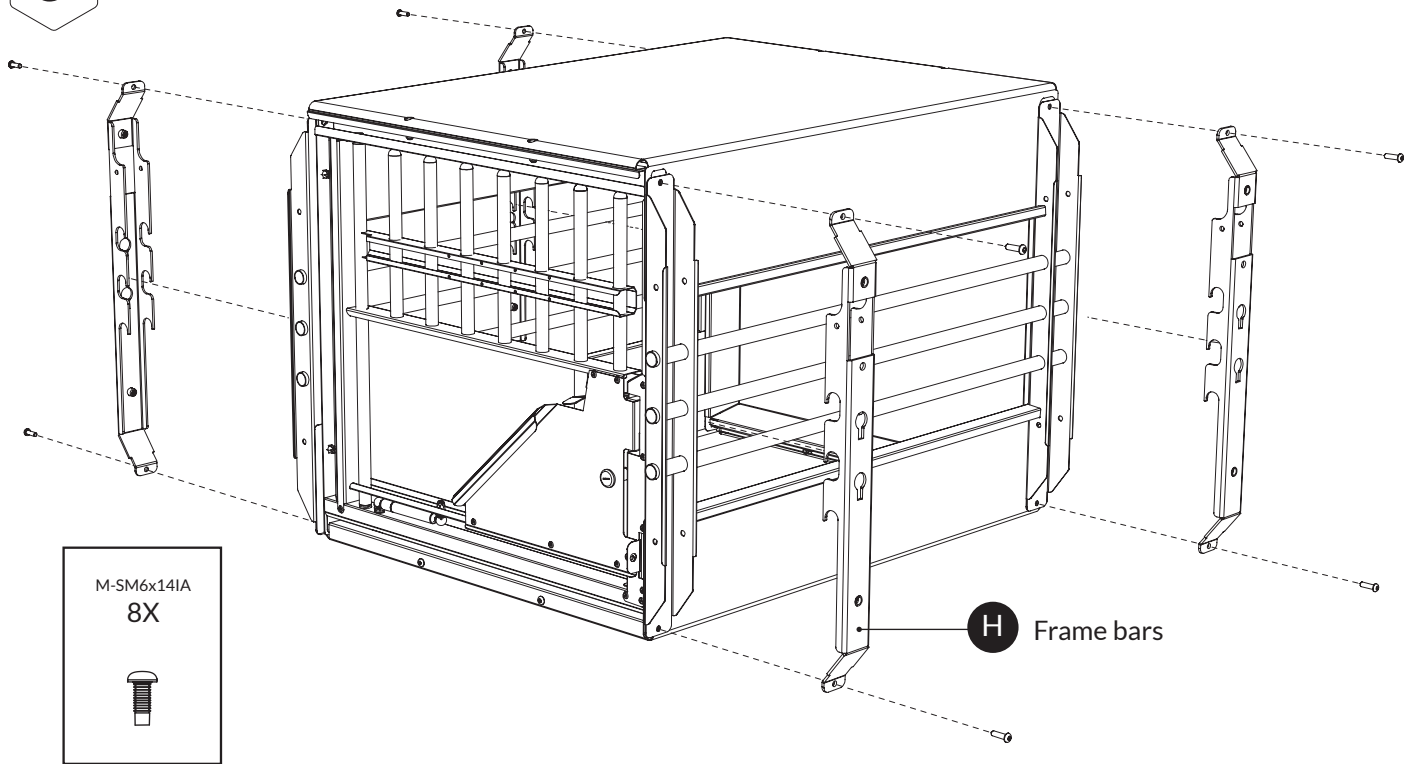


IMPORTANT

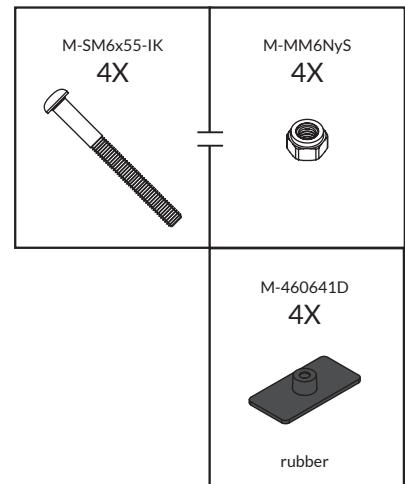
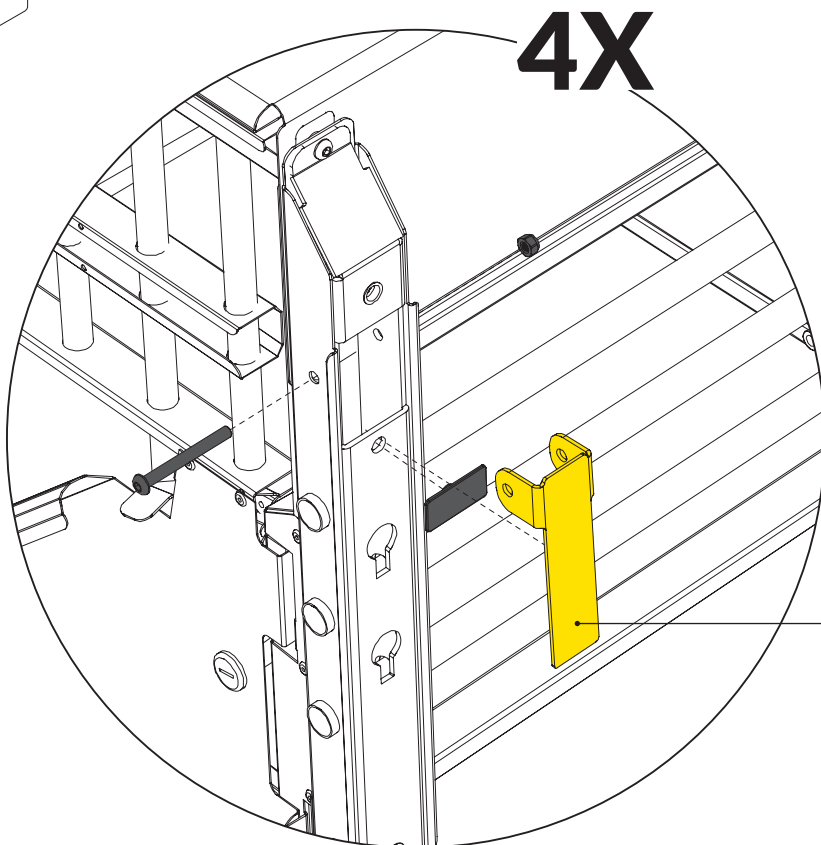
Gently insert all the screws before tightening



STEP  
**5**

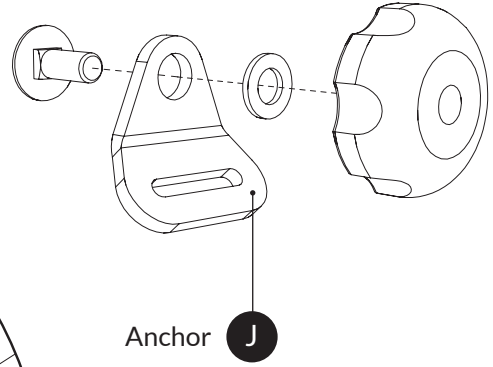
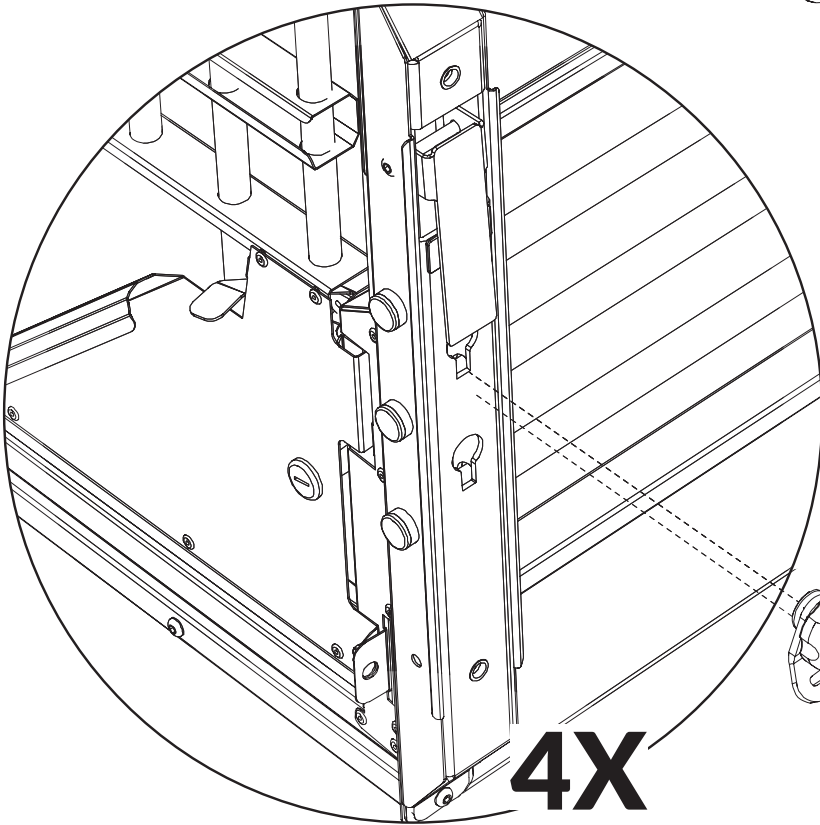


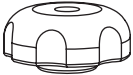


STEP  
**6**



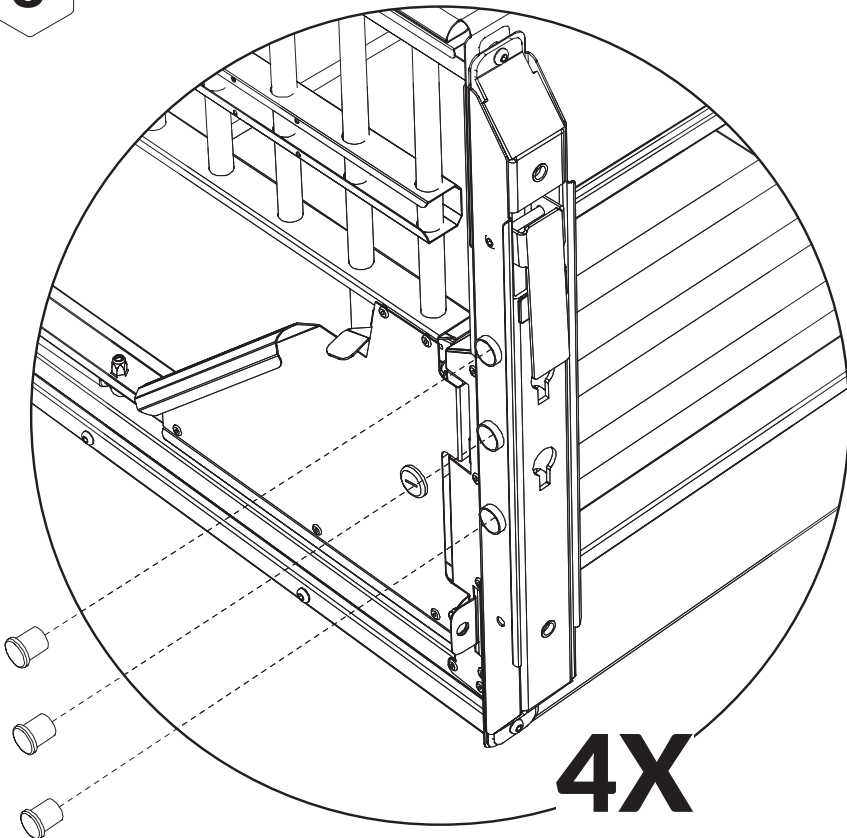
**H** Handle


STEP  
**7**



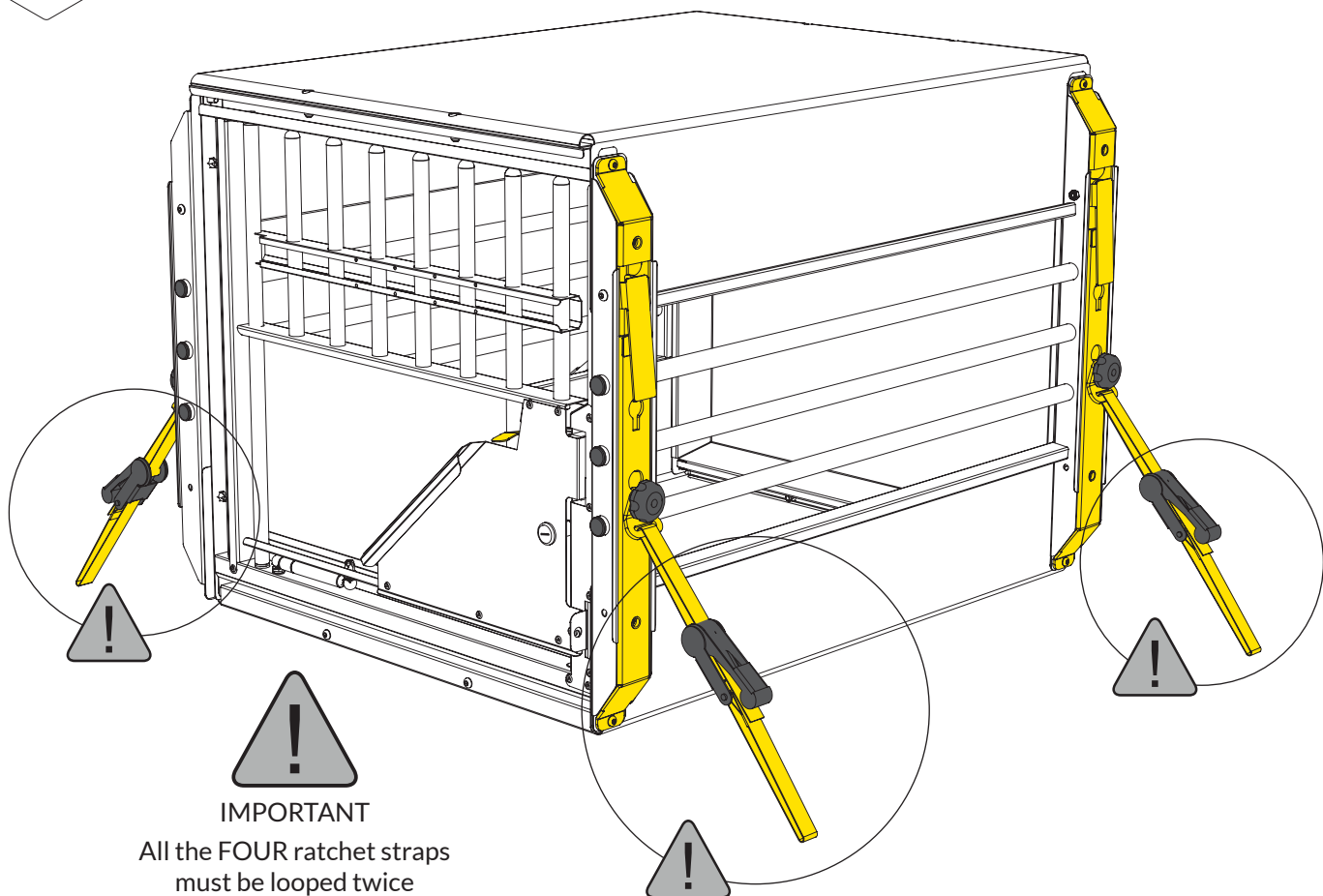
M-460641 4X 	
M-BR8x19x1,5S 4X 	M-VBM8x20S88 4X 

STEP  
**8**

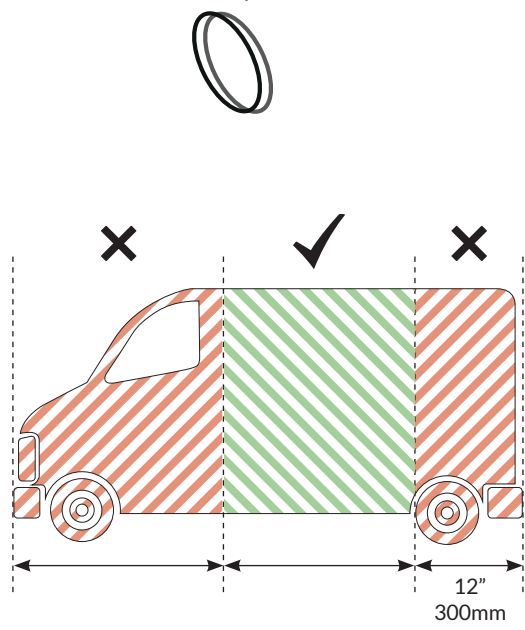


IKP1915-17S 12X 
plastic end caps

STEP  
**11**



**IMPORTANT**  
All the **FOUR** ratchet straps  
must be looped twice



Where to place the MultiCage

