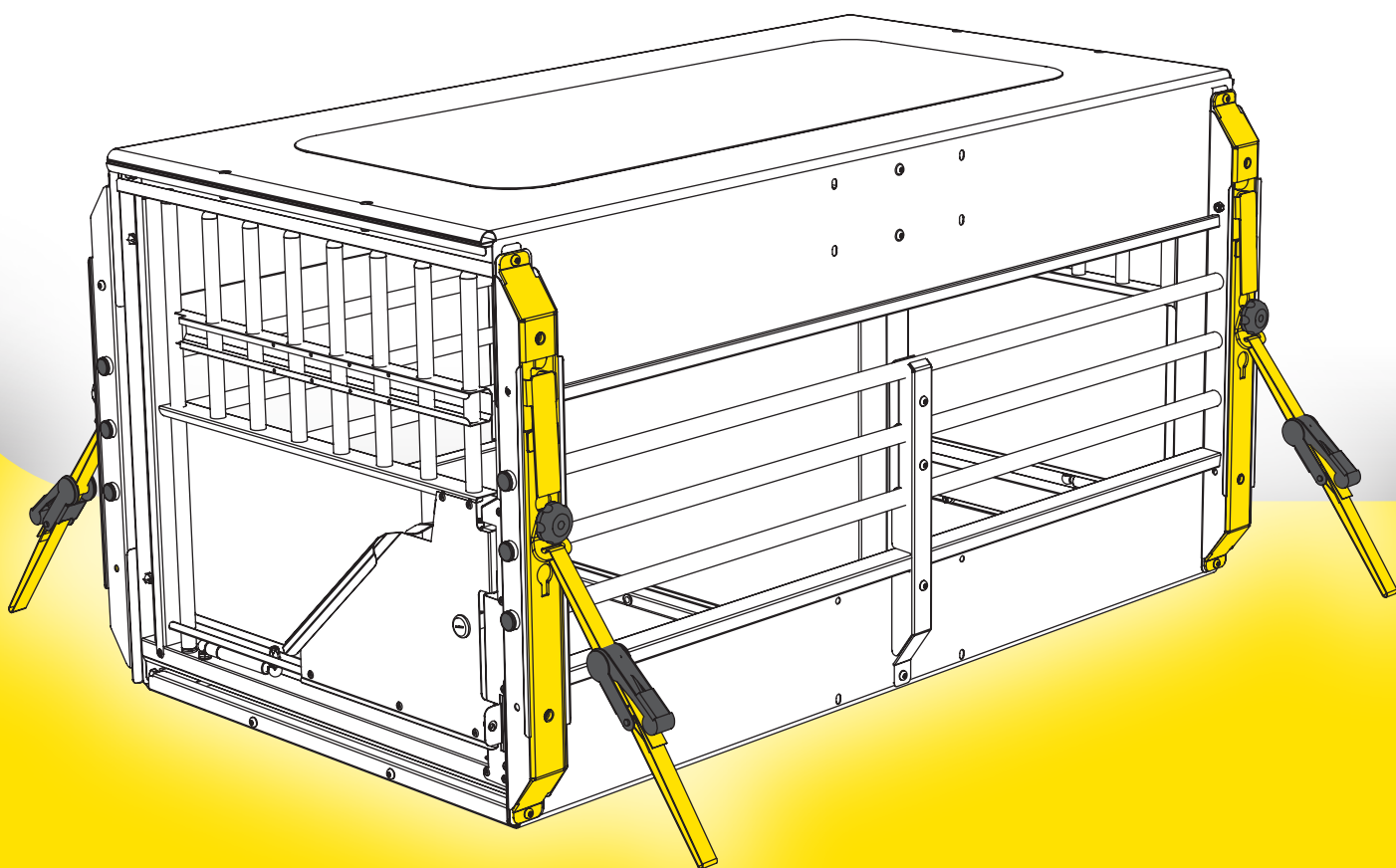


mimSAFE

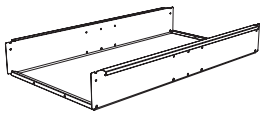
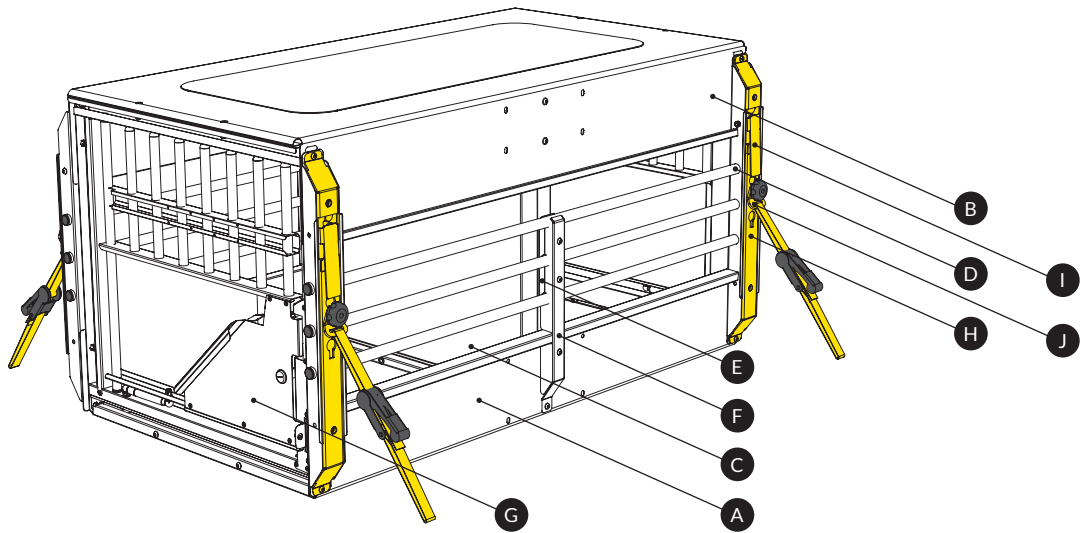
www.mimsafe.se



ASSEMBLY INSTRUCTIONS

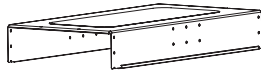
MULTICAGE

double large



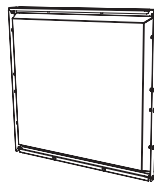
A Floor

6260A	1X
Product no	No of items



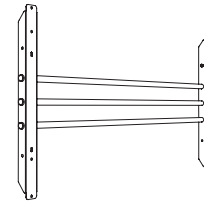
B Roof

6260E	1X
Product no	No of items



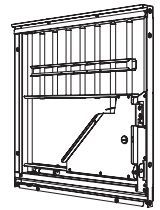
C Divider panel

6260J	1X
Product no	No of items



D Sidebars

6260C	2X
Product no	No of items



G Door section

6260I	2X
Product no	No of items



E Divider anchor

6260M	2X
Product no	No of items



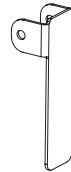
F Divider anchor

6260S	2X
Product no	No of items



H Frame bar

6260N	4X
Product no	No of items



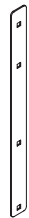
I Handle

6260P	4X
Product no	No of items



J Anchor

6260R	4X
Product no	No of items

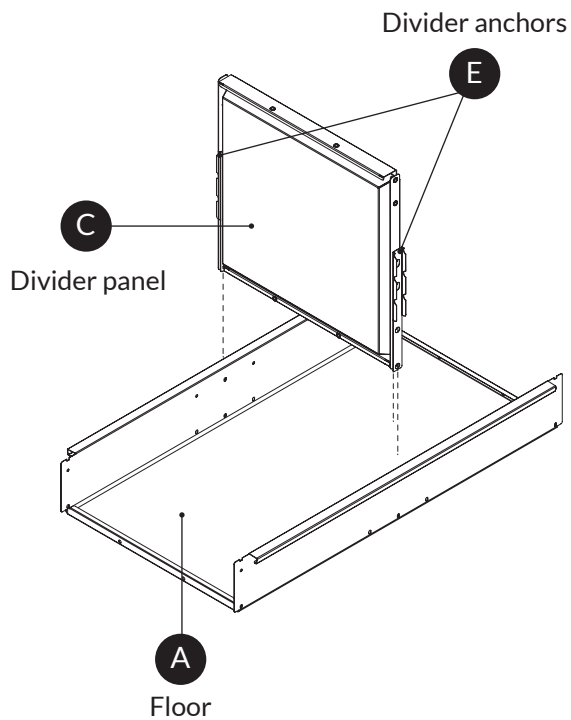


K Locking plate

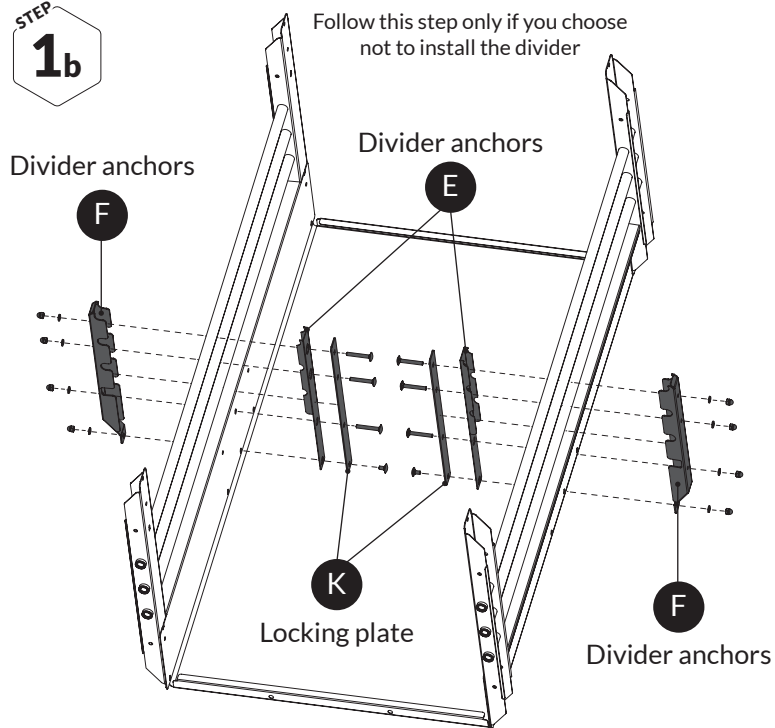
6260T	2X
Product no	No of items





<p>ALLEN KEY 4 1X</p>	<p>IKP1915-17S 12X plastic end caps</p>	<p>M-460641I 4X</p>	<p>M-BR8x19x1,5S 4X</p>	<p>M-VBM8x20S88 4X</p>	<p>M-B1687-6SLD 2X</p>	<p>M-SFF206M622S 2X</p>	<p>M-VBM6x12FZB 2X</p>	<p>M-BR6,4x12x1S 8X</p>
<p>Combination spanner 1X</p>	<p>M-10520 4X</p>	<p>M-SM6x14IA 30X</p>	<p>M-SM6x45-IK 6X</p>	<p>M-SM6x55-IK 4X</p>	<p>M-MM6NyS 4X</p>	<p>M-460641D 4X rubber</p>	<p>M-VBM6x45FZB 6X</p>	<p>M-MM6MHM-6FZB 8X</p>

STEP
1a

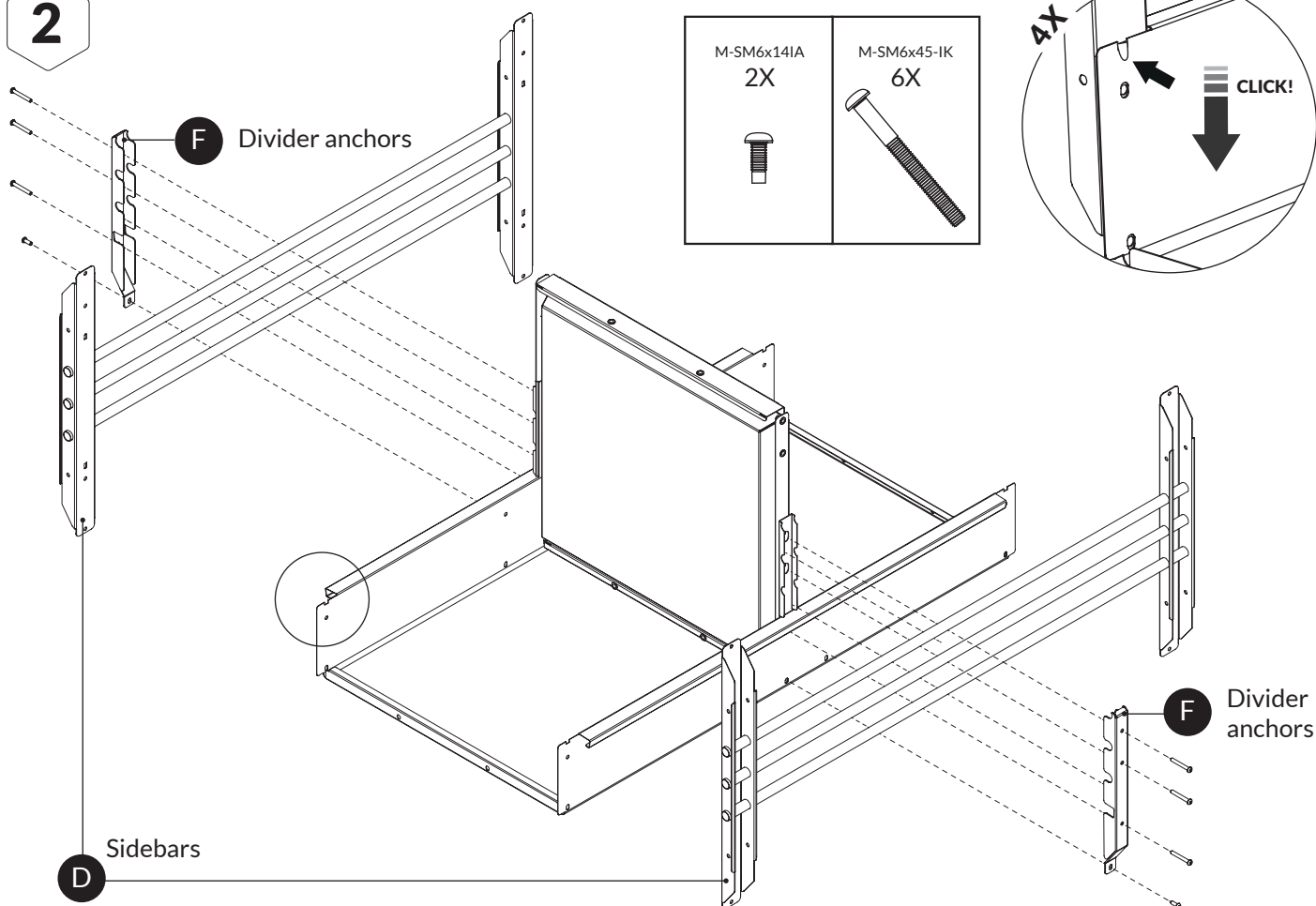




STEP
1b

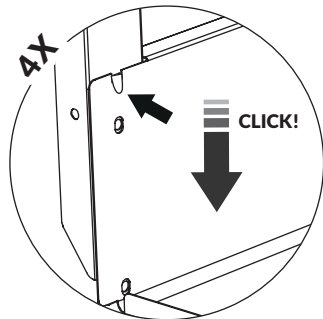


M-VBM6x45FZB 6X	M-VBM6x12FZB 2X	M-BR6,4x12x15 8X	M-MM6MHM-6FZB 8X
			

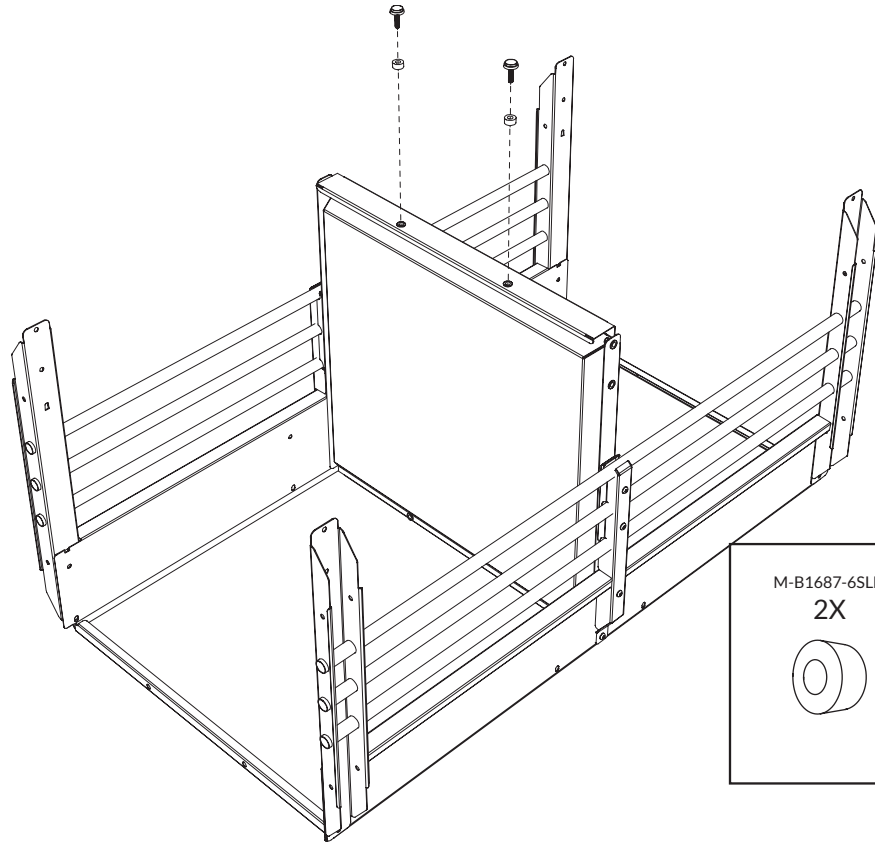
STEP
2


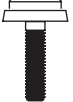


M-SM6x14IA 2X	M-SM6x45-IK 6X
	

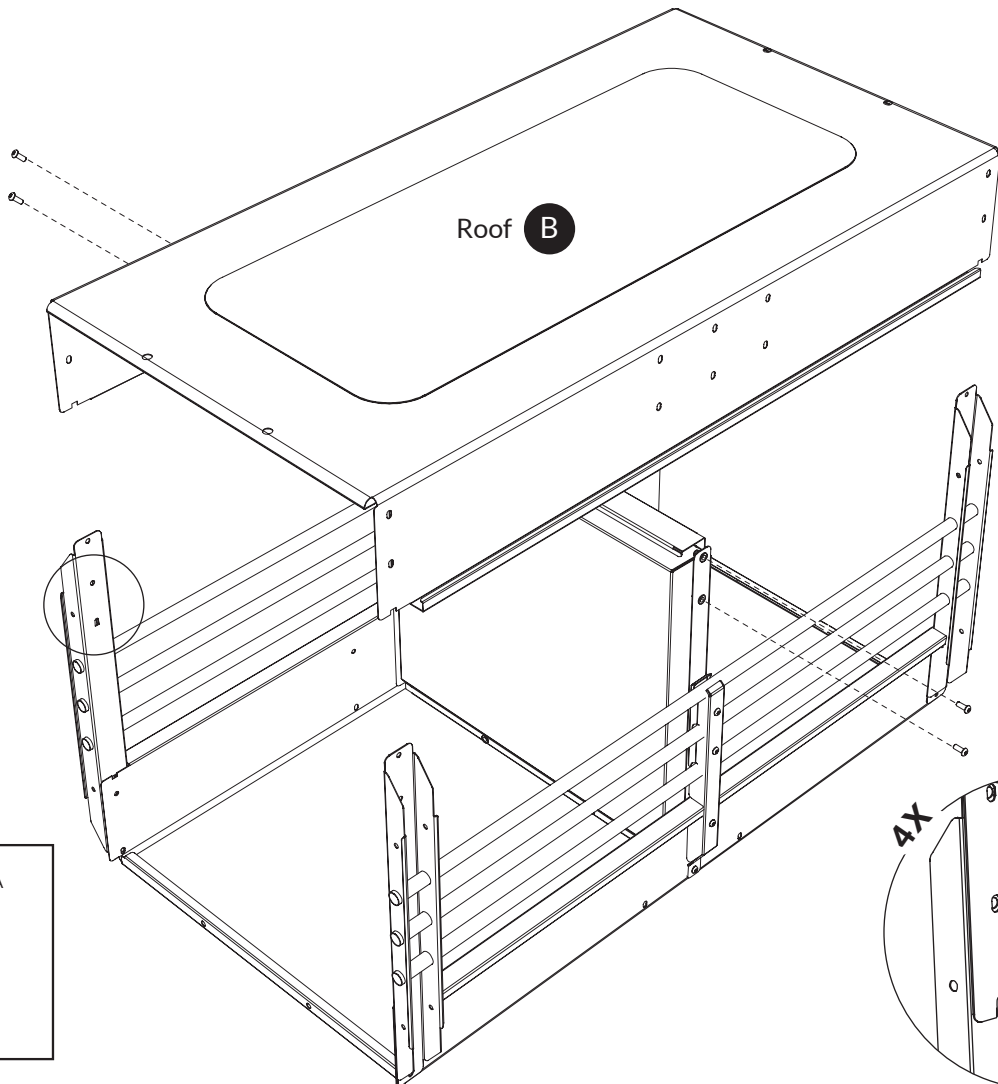



STEP
3

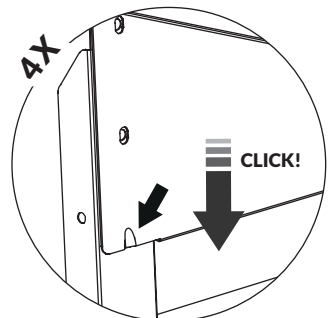


M-B1687-6SLD 2X	M-SFF206M622S 2X
	

STEP
4



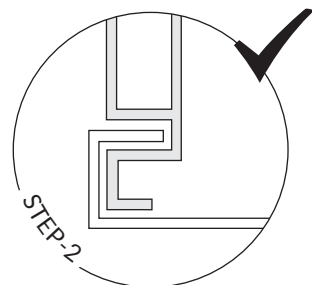
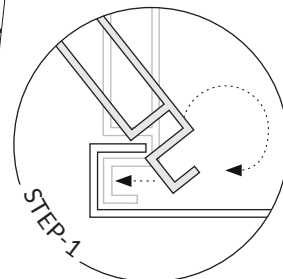
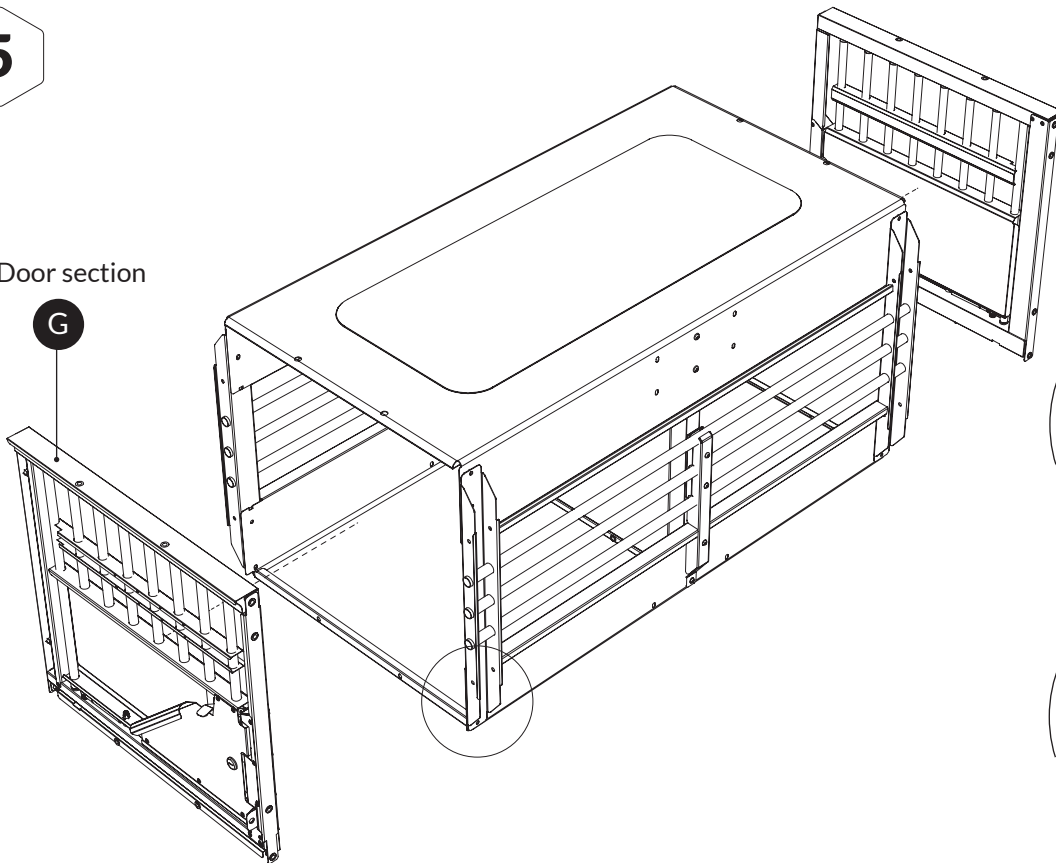
M-SM6x14IA 4X




STEP
5

Door section

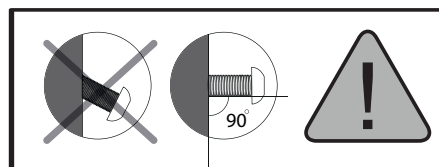
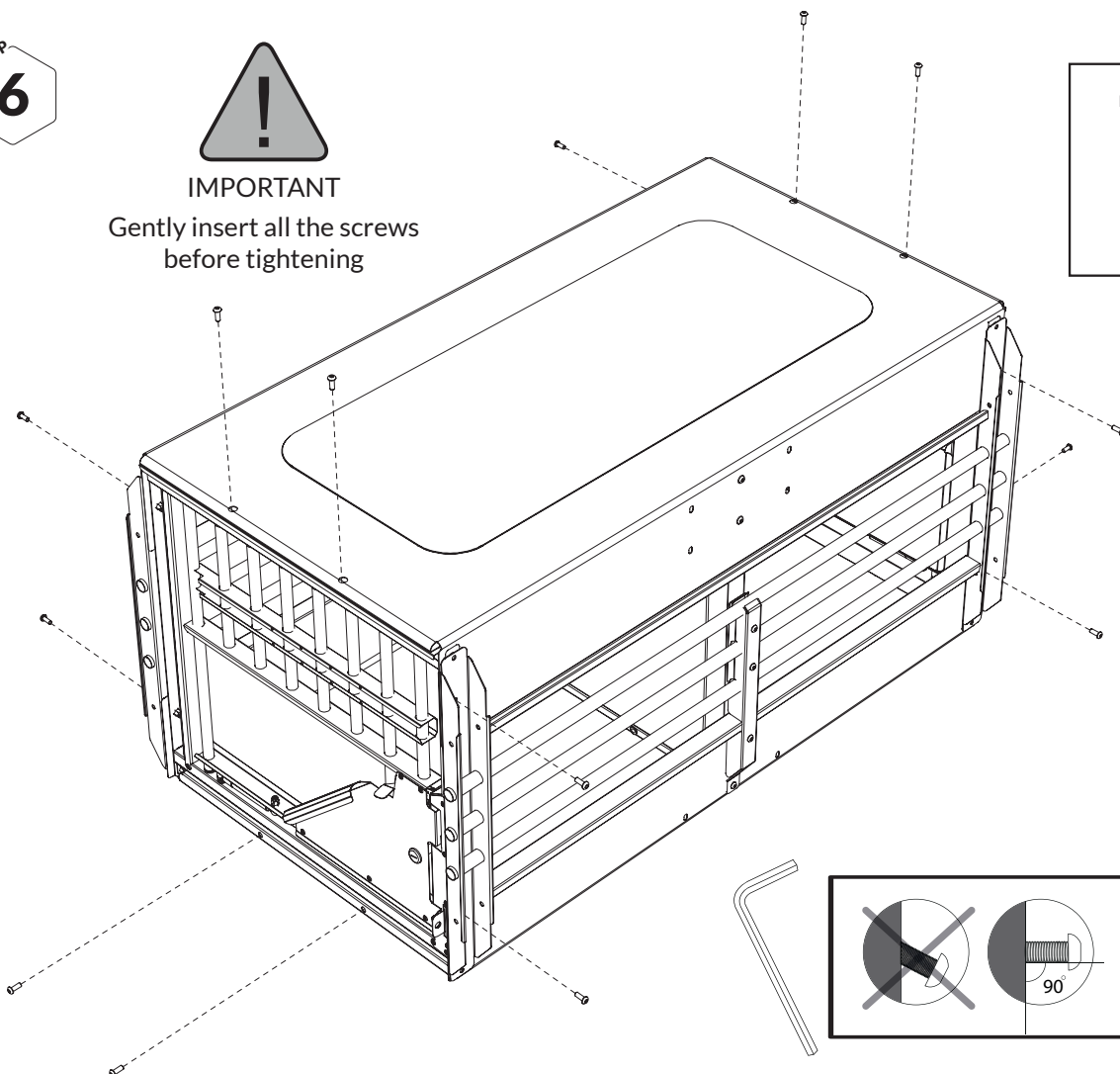
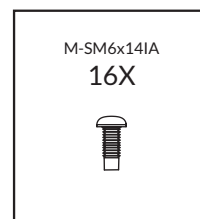
G



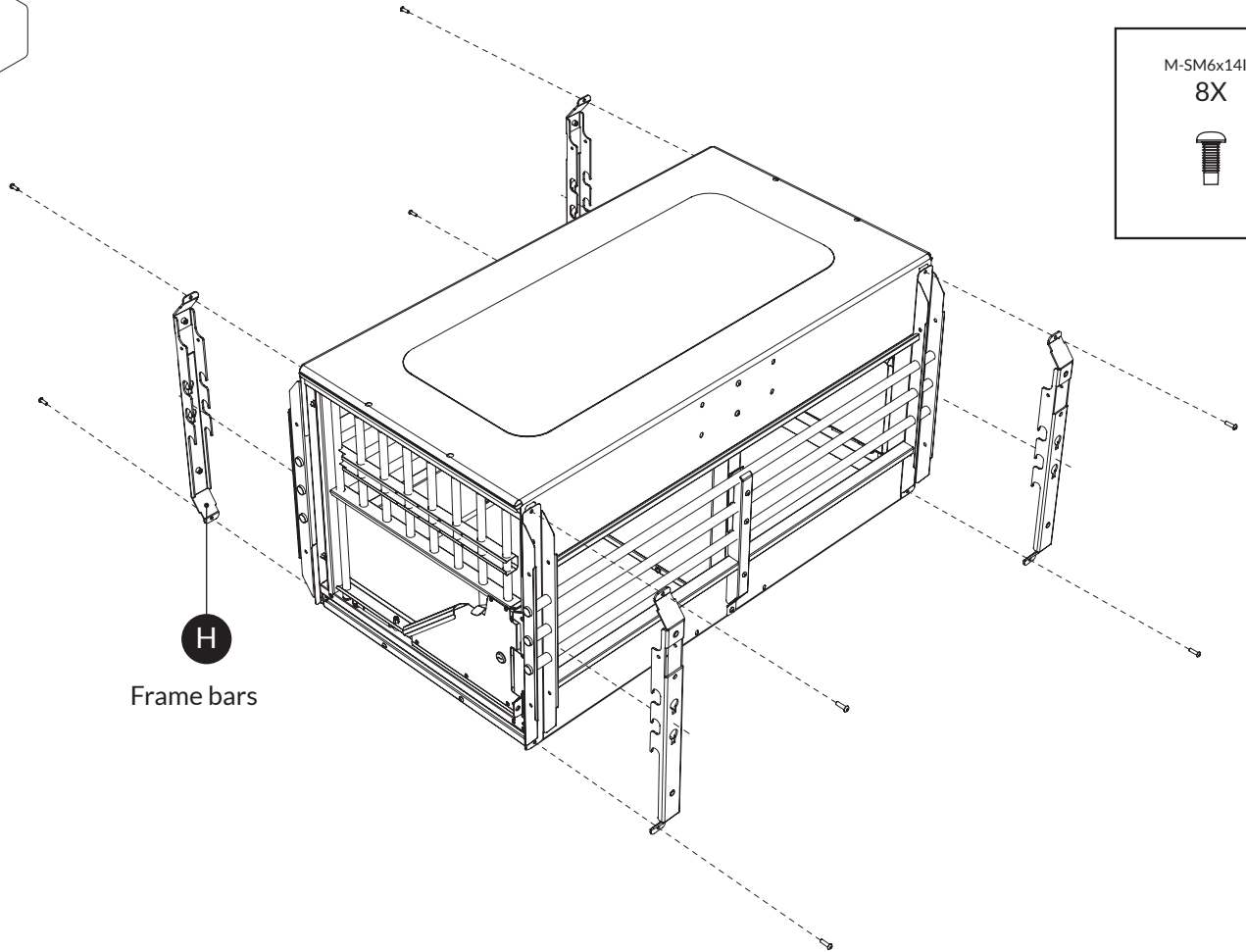
STEP
6



IMPORTANT
Gently insert all the screws
before tightening



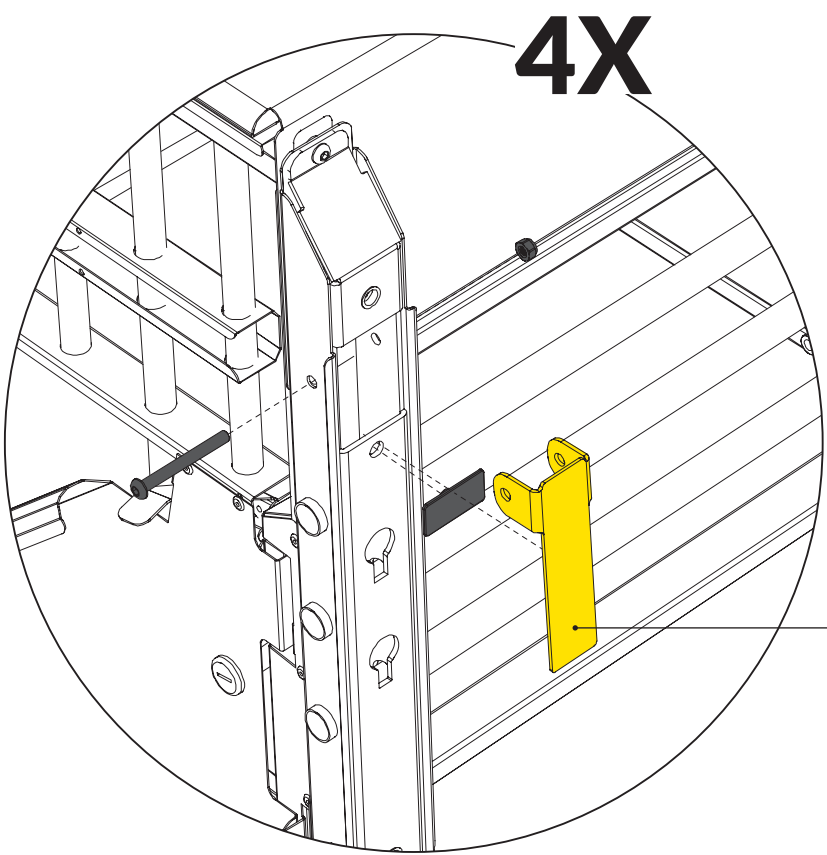
STEP
7



H
Frame bars

M-SM6x14IA
8X

STEP
8

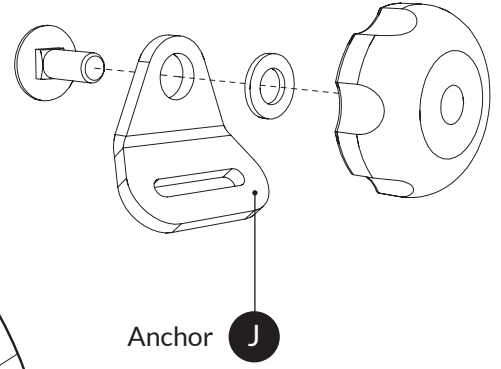
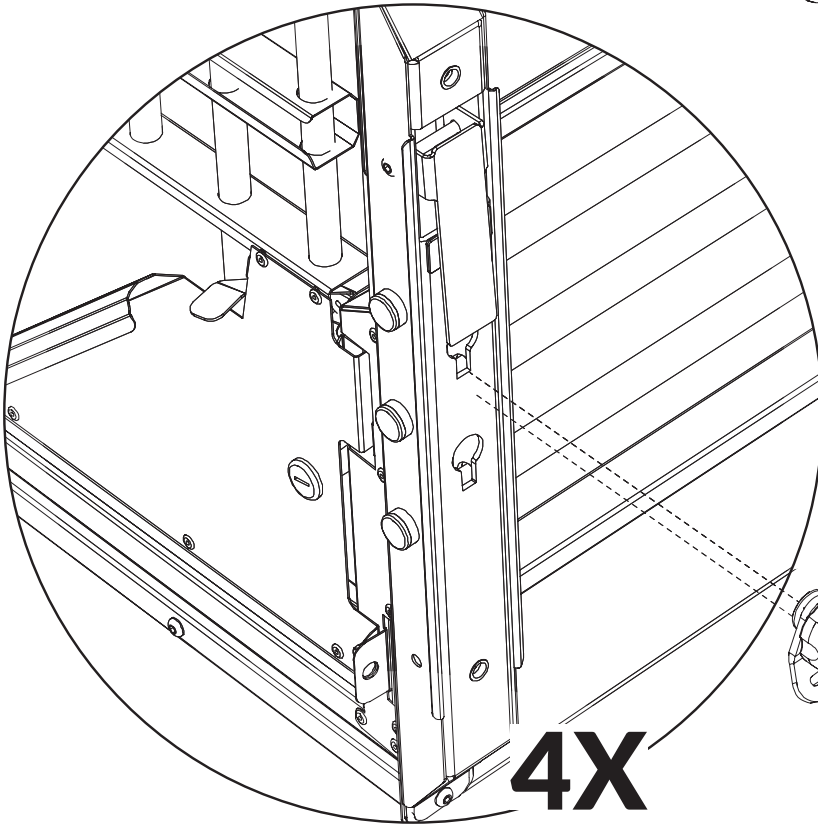


4X

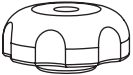


M-SM6x55-IK 4X	M-MM6Nys 4X
M-460641D 4X	
rubber	

H Handle

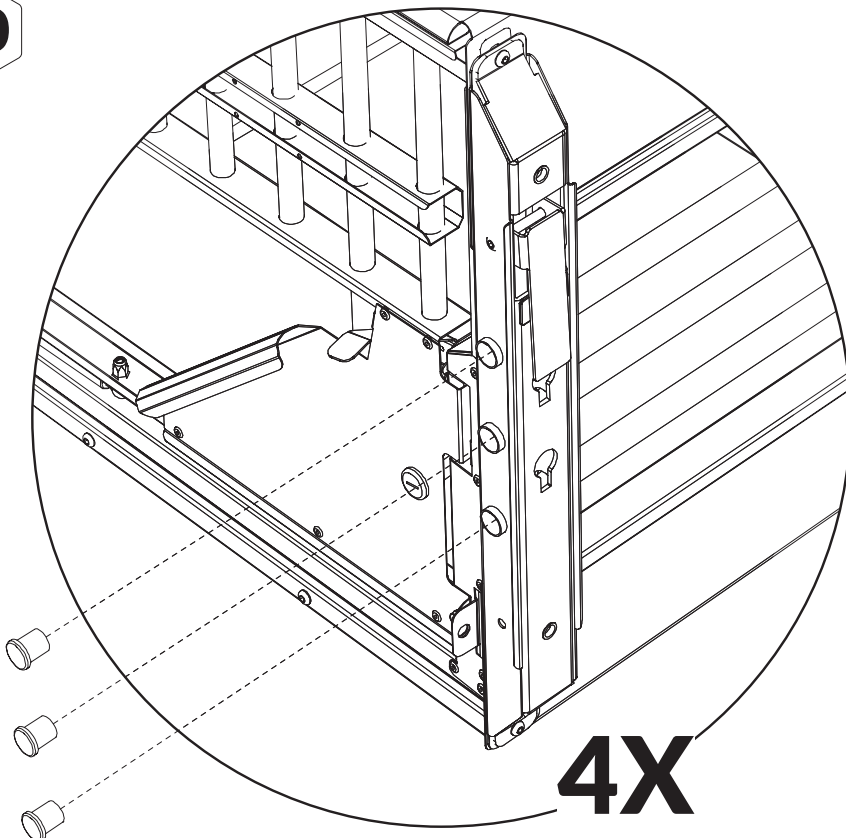
STEP
9




Anchor **J**

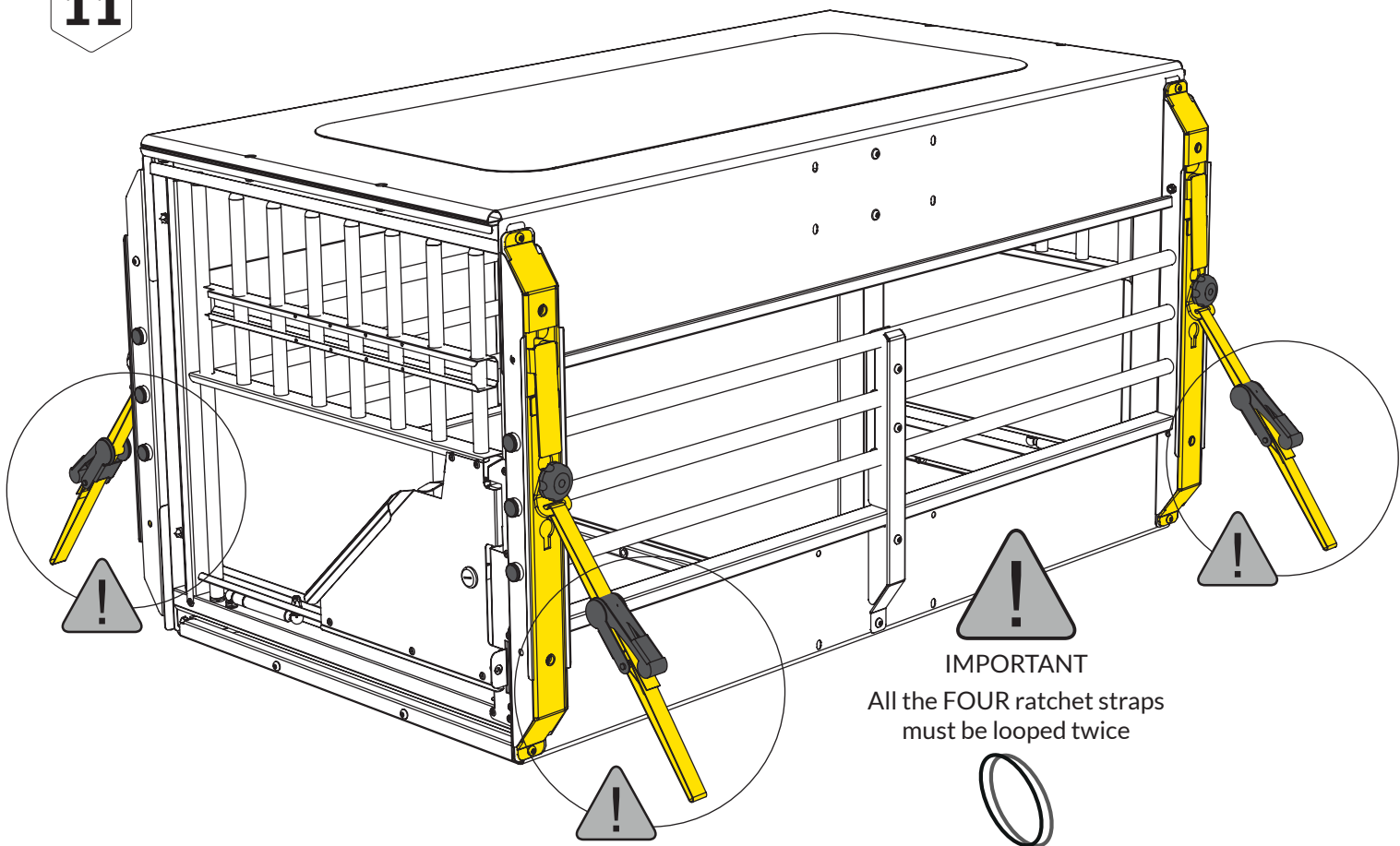
	M-4606411 4X 
M-BR8x19x1,55 4X 	M-VBM8x20S88 4X 

STEP
10

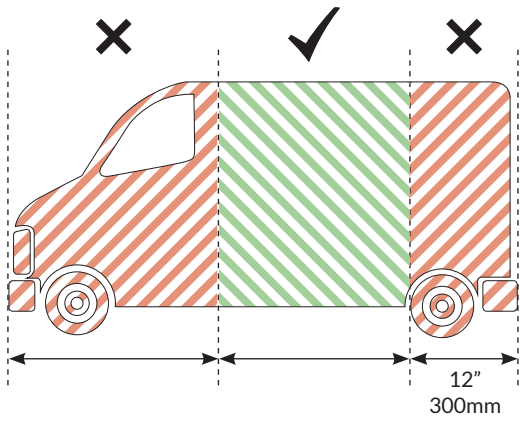


IKP1915-17S 12X 
plastic end caps

STEP
11



IMPORTANT
All the **FOUR** ratchet straps
must be looped twice



Where to place the MultiCage

